



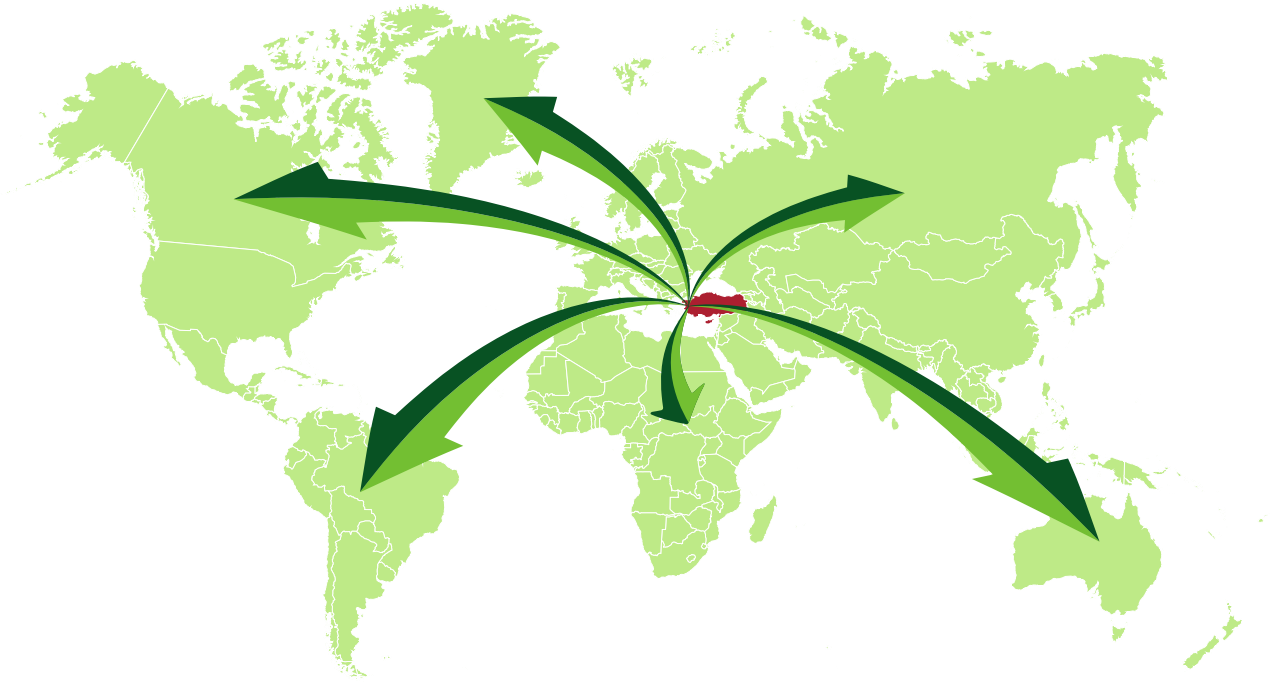
MINOS AGRI



**Skid Steer Loaders & Attachments
For Construction and Agriculture Machines**



 **MINOS**
AGR



MINOS AGRI

Our company, activating in agricultural mechanization field which has great importance for improvement of agriculture in our country since 1959, manufactures Subsoiler, Cultivator, Rotary Tiller, Pneumatic Seed Drill, Fertilizer Spreader, Inter Row Rotary Cultivator, Flail mower and slasher, Maize Chopper, Reaperbinder, Rotary Mowers, Rotary Windrowers, Tedder, Baler and Mixer-Feeder used in agricultural works such as handling, fertilizing and harvesting starting from preparation of soil at the pre-sowing period until plantation, in compliance with the state of the art technology.

Considering not only agricultural but also other sectors needs as like landscape, forestry, mining, highways, industry, construction..., Minos Agricultural Machinery has put the skid steer loaders into service with the quality, privilege, guarantee and assurance of Türkiye, which are designed to increase your productivity with its high performance thanks to its working speed and assertive lifting capacity.

Our Company following the global technological advancements is always beside farmers and at the service of state agriculture with the quality machinery conforming to standards and on-site application.

Our strong points

- Customs Union with EU and adoption of technical directives,
- Capability to manufacture with competitive costs and flexible schedules,
- Competitive components/spare parts manufacturing,
- High quality standards in manufacturing,
- Availability of highly trained, qualified, young and dynamic work force,
- Flexible and long term contracts,
- High levels of technical expertise and commercial background,
- Widespread application of international management systems
- Ability to adapt to changes in standards and conjecture, flexibility in production and delivery,
- Modern CAD/CAM systems,
- Modern process control systems,
- Continuous improvement applications

Contact Info:
Fatih Mah. 1191 Sk. No:17/A 35414, Gaziemir / İZMİR
Tel: 0 232 281 54 04 - 281 63 30 - 281 63 31
Fax: 0 232 281 57 10





MINOS
AGRI



Thor Series

Skid Steer Loaders

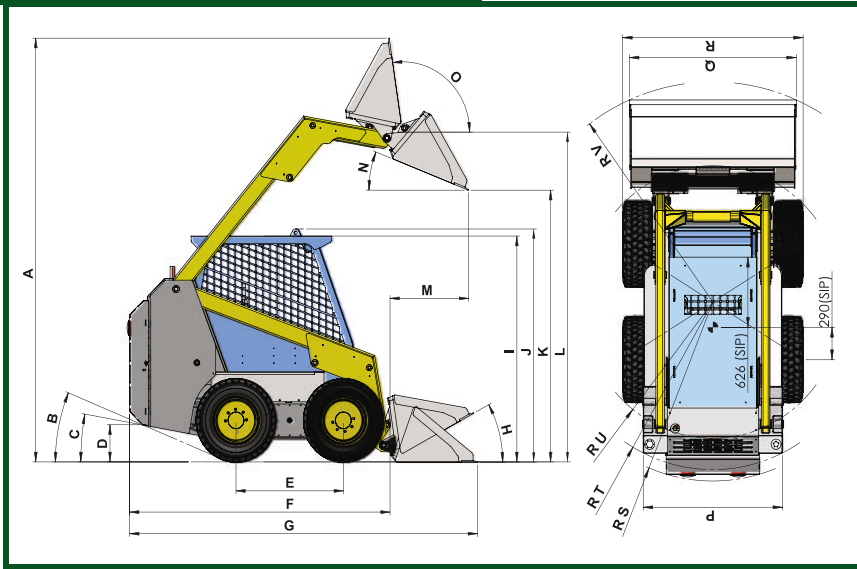
We offer our skid steer loaders, being one of the multi-task earth moving machines we manufacture to your service under Minos Agri quality and guarantee, with 57-year experience in the field of agricultural machinery and technology. It increases your productivity with its high performance thanks to its working speed and assertive lifting capacity and with the most balanced thanks to its design superiority. Minos Agri skid steer loaders are 4-wheel drive and have hydrostatic drive system. With its 360° rotating feature, it can operate extremely fast at very narrow locations. Agriculture, Landspace, Forestry, Mining, Highways, Industry, Construction...

All work is easy with Minos Agri!

The standard bucket located in front of Minos Agri Thor Series skid steer loaders, when required, can be removed in a short time like 1 minute thanks to quick coupler system and then different attachments can be installed. Every work is easier, faster, more profitable with our skidd steer loaders tahat allow you to do many different works with a wide variety of attachments options...



Dimension



Dimension

(A) 3880 mm	(L) 3020 mm
(B) 22.5 °	(M) 755 mm
(C) 10 °	(N) 21.5 °
(D) 340 mm	(O) 98.5 °
(E) 1030 mm	(P) 1304 mm
(F) 2500 mm	(Q) 1561 mm
(G) 3340 mm	(R) 1688 mm
(H) 28.5 °	(S) 1600 mm
(I) 2068 mm	(T) 1495 mm
(J) 2135 mm	(U) 1215 mm
(K) 2490 mm	(V) 1965 mm

Machine Rating

Rated operating capacity (ISO 14397-1)	700 kg
Tipping load (ISO 14397-1)	1400 kg.
Pump capacity at 1800 RPM @	25cc Max. Pressure 120 bar 45 L/min
System relief	40 MPa
Max. Travel speed (low range)	11.5 km/h

Engine

Make/ Model	Perkins 404D-22
Fuel	Dizel - Diesel
Cooling	SIVI - Liquid
Power at 3000 RPM	38 kW/ 51 hp
Torque at 1800 RPM	142.7 Nm
Number of cylinders	4
Displacement	2200 cm ³
Fuel tank	80 L

Weights

Operating weight	2755 kg
Shipping weight (with standard bucket)	2585 kg

Controls

- Direction and speed controlled by left-hand joystick
- Controlled by right-hand joystick
- Lateral movement of right-hand joystick

Drive System

Infinitely variable tandem hydrostatic piston pumps, driving two fully reversing hydrostatic motors

Danfoss

Attachments

General purpose bucket	Tree forks
Multi-purpose bucket	Hydraulic breaker
Earth bucket	Pickup broom
Backhoe	Auger
Ripper	Trencher
Dozer blade	Rock saw
Pallet forks	Rotary tiller
Bale spike	Flail mower
Bale handler	

Standard Features

10x16.5 Tyres
 Operator cab (Open cap)
 Parking brake
 Seat belt
 Operating lights, front and rear
 Instrument panel
 Quick coupler
 EC Declaration of Conformity (CE Certification)
 Warranty: 2 years

Options

12x16.5-12 Heavy duty tyres
 Smart instrument panel



MINOS
AGRI



Thor Series

Skid Steer Loaders

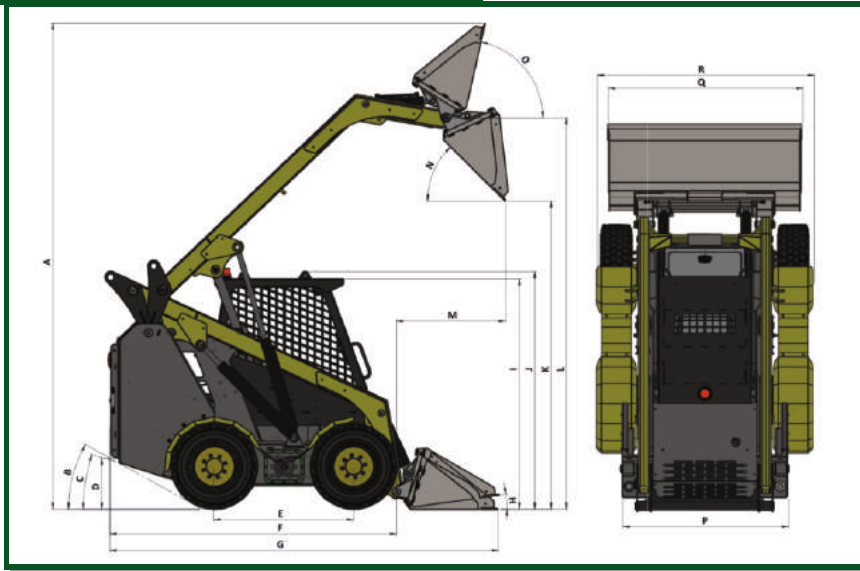
We offer our skid steer loaders, being one of the multi-task earth moving machines we manufacture to your service under Minos Agri quality and guarantee, with 57-year experience in the field of agricultural machinery and technology. It increases your productivity with its high performance thanks to its working speed and assertive lifting capacity and with the most balanced thanks to its design superiority. Minos Agri skid steer loaders are 4-wheel drive and have hydrostatic drive system. With its 360° rotating feature, it can operate extremely fast at very narrow locations. Agriculture, Landspace, Forestry, Mining, Highways, Industry, Construction...

All work is easy with Minos Agri!

The standard bucket located in front of Minos Agri Thor Series skid steer loaders, when required, can be removed in a short time like 1 minute thanks to quick coupler system and then different attachments can be installed. Every work is easier, faster, more profitable with our skidd steer loaders tahat allow you to do many different works with a wide variety of attachments options...



Dimension



Dimension

(A) 4367 mm	(J) 2136 mm
(B) 29,50°	(K) 2770 mm
(C) 18,00°	(L) 3520 mm
(D) 456 mm	(M) 962 mm
(E) 1232 mm	(N) 45,00°
(F) 2530 mm	(O) 77,50°
(G) 3432 mm	(P) 1463 mm
(H) 8,00°	(R) 1918 mm
(I) 2071 mm	(Q) 1720 mm

Machine Rating

Rated operating capacity (ISO 14397-1)	1250 kg.
Tipping load (ISO 14397-1)	12500 kg.
Pump capacity at 1400 RPM @	25cc Max. Pressure 120 bar 35 L/min
System relief	40 MPa
Max. Travel speed (low range)	11.5 km/h

Engine

Make/ Model	Perkins 1104D-44T
Fuel	Dizel - Diesel
Cooling	Swi - Liquid
Power at 2400 RPM	59,66 kW/80 hp
Torque at 1400 RPM	392.0 Nm

Number of cylinders	
Displacement	2200 cm ³
Fuel tank	80 L

Weights

Operating weight	3800 kg
Shipping weight (with standard bucket)	3570 kg

Controls

- Direction and speed controlled by left-hand joystick
- Controlled by right-hand joystick
- Lateral movement of right-hand joystick

Drive System

Infinitely variable tandem hydrostatic piston pumps, driving two fully reversing hydrostatic motors

Danfoss

Attachments

General purpose bucket	Tree forks
Multi-purpose bucket	Hydraulic breaker
Earth bucket	Pickup broom
Backhoe	Auger
Ripper	Trencher
Dozer blade	Rock saw
Pallet forks	Rotary tiller
Bale spike	Flail mower
Bale handler	

Standard Features

10x16.5 Tyres
 Operator cab (Open cap)
 Dead man's switch
 Seat belt
 Operating lights, front and rear
 Instrument panel
 Quick coupler
 EC Declaration of Conformity (CE Certification)
 Warranty: 2 years

Options

12x16.5-12 Heavy duty tyres
 Smart instrument panel

PAPER BALE ATTACHMENT



ATTACHMENTS FOR CONSTRUCTION AND AGRICULTURE MACHINES



MODEL	3 x 2	4 x 3
Width (mm)	1400	1550
Gripping capacity (mm)	1000 - 1900 min - max	1000 - 1900 min - max
Cylinder	2	2
Teeth (down - up)	3 - 2	4 - 3
Teeth length (mm)	1100	1100
Weight	500	600

SWEPPER ATTACHMENT



MODEL	1500	1800
Max. required oil flow (lpm)	90	90
Maximum pressure (bar)	215	215
Width (mm)	1870	2100
Working width (mm)	1500	1800
Brush diameter (mm)	600	600
Bucket capacity (lt)	440	510
Water kit	Suitable	Suitable
Side brush kit	Suitable	Suitable

ANGLE BROOM ATTACHMENT



MODEL	1500	1800
Max. required oil flow (lpm)	90	90
Maximum pressure (bar)	215	215
Width (mm)	1870	2100
Weight (kg)	450	500
Working width (mm)	1500	1800
Brush diameter (mm)	600	600

AUGER ATTACHMENT



Different size and type of inserts.

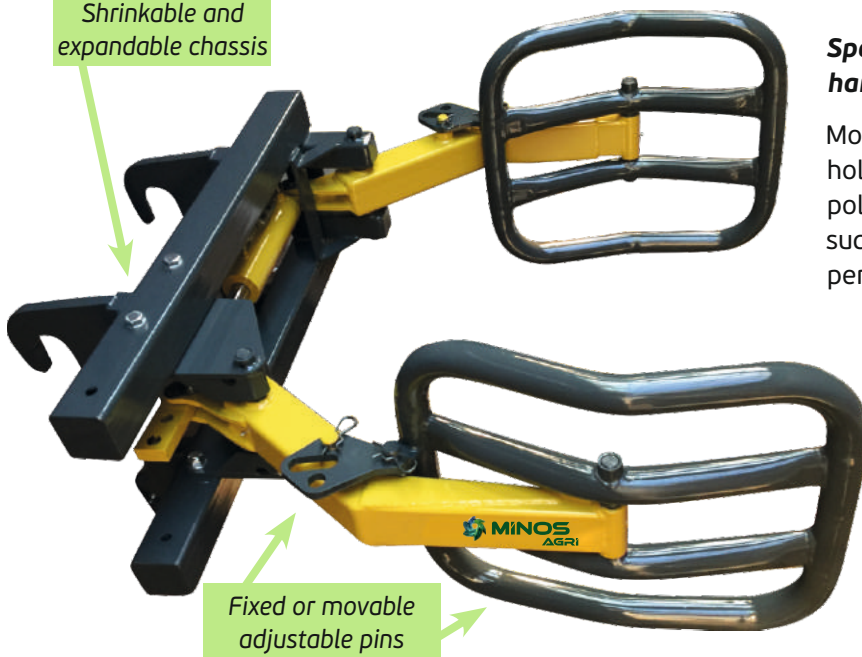
Different types of stabilizer and bracket applications



MODEL	DDA300 - 2030	DDA600 - 2050	DDA800 - 2060
Suitable machines	1 - 3 ton Mini Excavator	4 - 7 Ton Mini Excavator Mini Loader Mini Telehandler	8 - 30 Ton Excavator - Loader Backhoe Loader Telehandler
Drill diameter (mm)	200 - 300	200 - 300 - 400 - 500	200 - 300 - 400 - 500 - 600
Weight (kg)	130 kg	190 kg	210 kg

SILAGE BALE HANDLER

Shrinkable and expandable chassis



Fixed or movable adjustable pins

Special design for round and wrapped bale handler

Movable grippers free from sharp edges securely hold the wrapped bales without any damage to the polythene sheet. A standard safety valve prevents any sudden decrease of the gripping pressure. Sets of holes permit the gripper arms to be set to match any bale size.

BIG BALE HANDLER



Lifting capacity (kg)	1800
Teeth	4 x 2
Weight (kg)	300

ATTACHMENTS FOR CONSTRUCTION AND AGRICULTURE MACHINES



MODEL	600 STD	1600 STD	ADJUSTABLE
Lifting capacity (kg)	600 max	1600 max	400 - 1600 min - max
Gripping diameter (mm)	800 - 1000 min - max	1100 - 1700 min - max	800 - 1700 min - max
Weight (kg)	190	200	225



POT GRIPPER ATTACHMENT



- Usable for pots from 500 - 1,100 mm in diameter
- Max. load - carrying capacity of 500 kg



ROTOVATOR ATTACHMENT



MODEL	600	800	1200
Weight	100	150	200
Working width (mm)	600	800	1200
Working depth (mm)	100	100	100

SCREEN BUCKET ATTACHMENT



MODEL	2000	4000
Weight (kg)	135	210
Capacity (m3 / h)	11	15
Excavators for (ton)	1 - 2	3 - 5
Drum diameter (mm)	500	600

BALE FORK ATTACHMENT



CONCRETE MIXER ATTACHMENT



MODEL	250	450
Total attachment width (mm)	1450	1700
Empty weight (kg)	450	590
Maximum capacity (lt)	250	450
Max. required oil flow (lpm)	100	100
Maximum pressure (bar)	245	245



WINCH ATTACHMENT (WITH EXTENSION JIB)


MODEL	W2000	W1500	W1000
Capacity (kg)	2000	1500	1000
Jib lenght (mm)	0	1000	2000
Steel rope lenght (m)	40	20	20
Weight (kg)	290	360	390



ROTATABLE WORKING PLATFORM



180° Rotation capability

400 kg Capacity

Variable dimensions

Non - slip floor material

High quality

ROTATIONAL POLE PLANTER - PIPE HANDLER



MODEL	
Handling capacity	350
Handling length (m)	12
Handling diameter (Ø mm)	300-500
Weight (kg)	1100
Rotation angle (°)	105
Details written for backhoe loaders.	



SQUARE BALE ATTACHMENT

Lifting capacity (kg)	2100
Gripping (mm)	500 - 2200 min - max
Frame Width (mm)	1600
Weight (mm)	635



RAKE ATTACHMENTS



Rake



Skeleton bucket



Forest rake

ATTACHMENTS FOR CONSTRUCTION AND AGRICULTURE MACHINES

PALLET FORK ATTACHMENT



TIMBER ATTACHMENT



PLATFORM ATTACHMENT



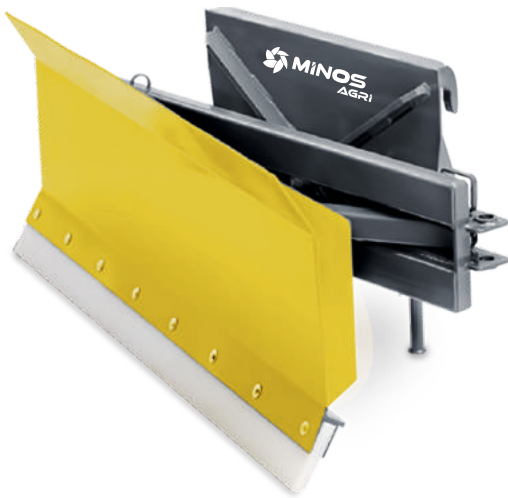
Width (mm)	1400
Weight (kg)	160
Lifting capacity (kg)	240
Carriage capacity (person)	3

EXCAVATOR ATTACHMENT



MODEL	2500
Required min. oil flow (lpm)	50
Min. pressure (bar)	160
Max. digging depth (mm)	2500
Max. bucket width (mm)	500

DOZER BLADE ATTACHMENT



WIDTH (mm)	WEIGHT (mm)
1,700	250 - 260
2,000	270 - 280
2,500	290 - 300

EXCAVATOR GRAPPLE ATTACHMENT



We can produce special designs for special products.

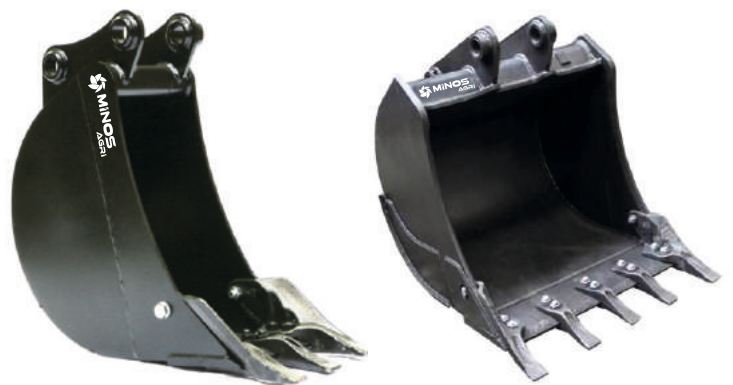
HEAVY DUTY BUCKETS



MINI EXCAVATOR BUCKETS



BACKHOE LOADER BUCKETS



QUICK COUPLER



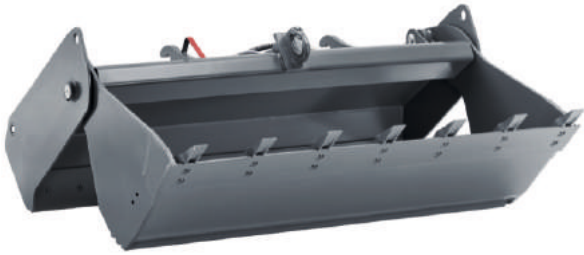
RIPPER



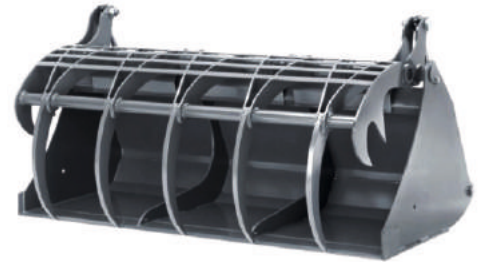
TRAPEZODIAL BUCKET



FOUR IN ONE BUCKET



GRAPPLE BUCKET



STONE BUCKET



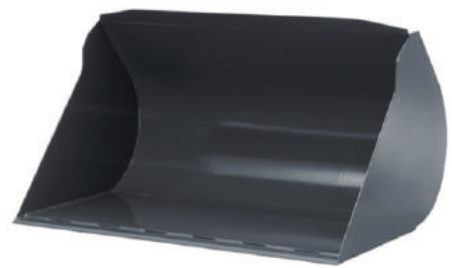
DIGGING BUCKET



BALE FORK ATTACHMENT



LIGHT MATERIALS BUCKET



Note :

A series of horizontal dashed lines for writing notes.



MINOS
AGRI

Fatih Mah. 1191 Sk. No:17/A 35414, Gaziemir / İZMİR
Tel: 0 232 281 54 04 - 281 63 30 - 281 63 31 Fax: 0 232 281 57 10
info@minosagri.com

www.minosagri.com