



MINOS
AGRI



Thor Series

Skid Steer Loaders

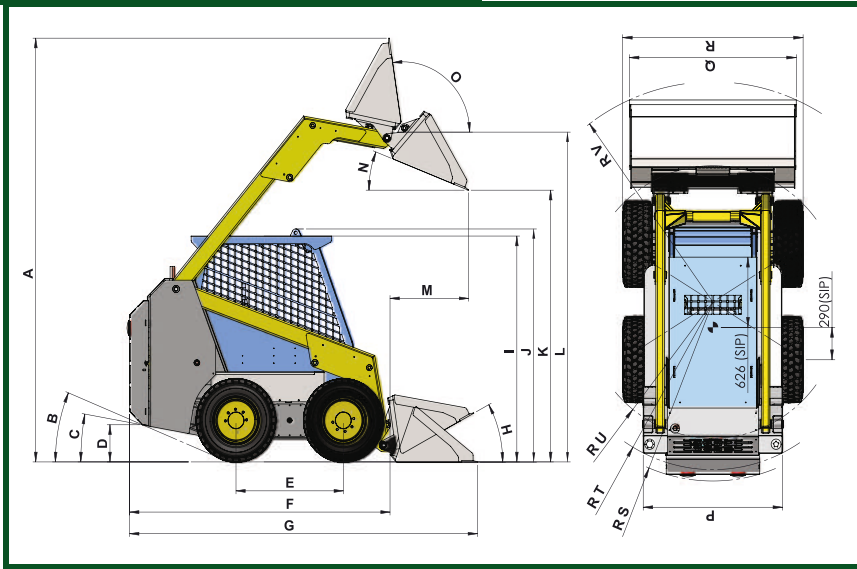
We offer our skid steer loaders, being one of the multi-task earth moving machines we manufacture to your service under Minos Agri quality and guarantee, with 57-year experience in the field of agricultural machinery and technology. It increases your productivity with its high performance thanks to its working speed and assertive lifting capacity and with the most balanced thanks to its design superiority. Minos Agri skid steer loaders are 4-wheel drive and have hydrostatic drive system. With its 360° rotating feature, it can operate extremely fast at very narrow locations. Agriculture, Landspace, Forestry, Mining, Highways, Industry, Construction...

All work is easy with Minos Agri!

The standard bucket located in front of Minos Agri Thor Series skid steer loaders, when required, can be removed in a short time like 1 minute thanks to quick coupler system and then different attachments can be installed. Every work is easier, faster, more profitable with our skidd steer loaders tahat allow you to do many different works with a wide variety of attachments options...



Dimension



Dimension

(A) 3880 mm	(L) 3020 mm
(B) 22.5 °	(M) 755 mm
(C) 10 °	(N) 21.5 °
(D) 340 mm	(O) 98.5 °
(E) 1030 mm	(P) 1304 mm
(F) 2500 mm	(Q) 1561 mm
(G) 3340 mm	(R) 1688 mm
(H) 28.5 °	(S) 1600 mm
(I) 2068 mm	(T) 1495 mm
(J) 2135 mm	(U) 1215 mm
(K) 2490 mm	(V) 1965 mm

Machine Rating

Rated operating capacity (ISO 14397-1)	700 kg
Tipping load (ISO 14397-1)	1400 kg.
Pump capacity at 1800 RPM @	25cc Max. Pressure 120 bar 45 L/min
System relief	40 MPa
Max. Travel speed (low range)	11.5 km/h

Engine

Make/ Model	Perkins 404D-22
Fuel	Dizel - Diesel
Cooling	SIVI - Liquid
Power at 3000 RPM	38 kW/ 51 hp
Torque at 1800 RPM	142.7 Nm

Number of cylinders	4
Displacement	2200 cm ³
Fuel tank	80 L

Weights

Operating weight	2755 kg
Shipping weight (with standard bucket)	2585 kg

Controls

- Direction and speed controlled by left-hand joystick
- Controlled by right-hand joystick
- Lateral movement of right-hand joystick

Drive System

Infinitely variable tandem hydrostatic piston pumps, driving two fully reversing hydrostatic motors

Danfoss

Attachments

General purpose bucket	Tree forks
Multi-purpose bucket	Hydraulic breaker
Earth bucket	Pickup broom
Backhoe	Auger
Ripper	Trencher
Dozer blade	Rock saw
Pallet forks	Rotary tiller
Bale spike	Flail mower
Bale handler	

Standard Features

10x16.5 Tyres
Operator cab (Open cap)
Parking brake
Seat belt
Operating lights, front and rear
Instrument panel
Quick coupler
EC Declaration of Conformity (CE Certification)
Warranty: 2 years

Options

12x16.5-12 Heavy duty tyres
Smart instrument panel



MINOS
AGRI



Thor Series

Skid Steer Loaders

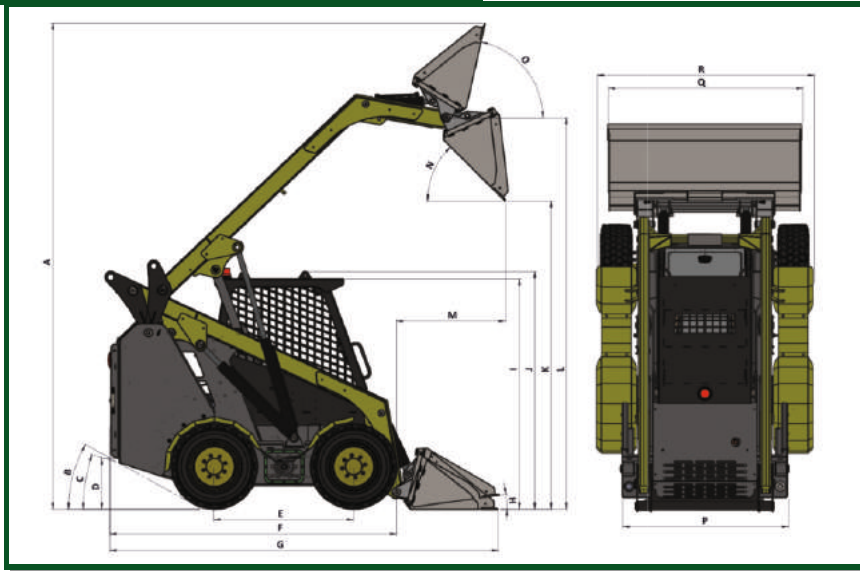
We offer our skid steer loaders, being one of the multi-task earth moving machines we manufacture to your service under Minos Agri quality and guarantee, with 57-year experience in the field of agricultural machinery and technology. It increases your productivity with its high performance thanks to its working speed and assertive lifting capacity and with the most balanced thanks to its design superiority. Minos Agri skid steer loaders are 4-wheel drive and have hydrostatic drive system. With its 360° rotating feature, it can operate extremely fast at very narrow locations. Agriculture, Landspace, Forestry, Mining, Highways, Industry, Construction...

All work is easy with Minos Agri!

The standard bucket located in front of Minos Agri Thor Series skid steer loaders, when required, can be removed in a short time like 1 minute thanks to quick coupler system and then different attachments can be installed. Every work is easier, faster, more profitable with our skidd steer loaders tahat allow you to do many different works with a wide variety of attachments options...



Dimension



Dimension

(A) 4367 mm	(J) 2136 mm
(B) 29,50°	(K) 2770 mm
(C) 18,00°	(L) 3520 mm
(D) 456 mm	(M) 962 mm
(E) 1232 mm	(N) 45,00°
(F) 2530 mm	(O) 77,50°
(G) 3432 mm	(P) 1463 mm
(H) 8,00°	(R) 1918 mm
(I) 2071 mm	(Q) 1720 mm

Machine Rating

Rated operating capacity (ISO 14397-1)	1250 kg.
Tipping load (ISO 14397-1)	12500 kg.
Pump capacity at 1400 RPM @	25cc Max.Pressure 120 bar 35 L/min
System relief	40 MPa
Max. Travel speed (low range)	11.5 km/h

Engine

Make/ Model	Perkins 1104D-44T
Fuel	Dizel - Diesel
Cooling	Swi - Liquid
Power at 2400 RPM	59,66 kW/80 hp
Torque at 1400 RPM	392.0 Nm

Number of cylinders	
Displacement	2200 cm ³
Fuel tank	80 L

Weights

Operating weight	3800 kg
Shipping weight (with standard bucket)	3570 kg

Controls

- Direction and speed controlled by left-hand joystick
- Controlled by right-hand joystick
- Lateral movement of right-hand joystick

Drive System

Infinitely variable tandem hydrostatic piston pumps, driving two fully reversing hydrostatic motors Danfoss

Attachments

General purpose bucket	Tree forks
Multi-purpose bucket	Hydraulic breaker
Earth bucket	Pickup broom
Backhoe	Auger
Ripper	Trencher
Dozer blade	Rock saw
Pallet forks	Rotary tiller
Bale spike	Flail mower
Bale handler	

Standard Features

10x16.5 Tyres
Operator cab (Open cap)
Dead man's switch
Seat belt
Operating lights, front and rear
Instrument panel
Quick coupler
EC Declaration of Conformity (CE Certification)
Warranty: 2 years

Options

12x16.5-12 Heavy duty tyres
Smart instrument panel